

The Xenia series is a one of a kind shower design that fits any space. It is perfectly functional and stylish for a small bathroom yet is refined enough for a big one. The clean, elegant and structured lines allow you to incorporate it to any style of bathroom decor. The Xenia door will amaze you with its capacity to offer an innovative space saving design, which provides a great opening without sacrificing the sophisticated allure. The infold door system slides half way inside the shower, giving you a large opening without needing much room outside.



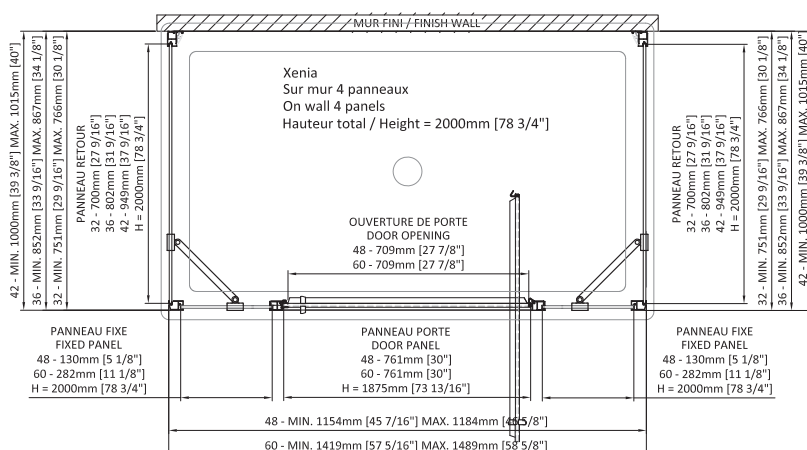
XENIA

SHOWER DOOR ON WALL 1 DOOR, 2 FIXED, 2 RETURNS

Door 48" : DXN4800ASTC21
 Box #1
 81 1/8" x 35" x 2 3/4", 91.49lbs
 Box #2
 81 1/8" x 15 1/8" x 1 5/8", 33.07 lbs
 Return 32" x 2 : DXN3200PSTX21
 Box #3
 81 1/8" x 21 1/4" x 2 1/2", 72.75 lbs
 Return 36" x 2 : DXN3600PSTX21
 Box #3
 81 1/8" x 35 1/4" x 2 1/2", 81.57 lbs
 Return 42" x 2 : DXN4200PSTX21
 Box #3
 81 1/8" x 41 1/8" x 2 1/2", 95.9 lbs

Door 60" : DXN4800ASTC21
 Box #1
 81 1/8" x 35" x 2 3/4", 91.49lbs
 Box #2
 81 1/8" x 15 1/8" x 1 5/8", 33.07 lbs
 Return 32" x 2 : DXN3200PSTX21
 Box #3
 81 1/8" x 21 1/4" x 2 1/2", 72.75 lbs
 Return 36" x 2 : DXN3600PSTX21
 Box #3
 81 1/8" x 35 1/4" x 2 1/2", 81.57 lbs
 Return 42" x 2 : DXN4200PSTX21
 Box #3
 81 1/8" x 41 1/8" x 2 1/2", 95.9 lbs

Total number of boxes : 3



- Large door opening
- Infold door slides 14" inside, saving space outside the shower
- Reversible left or right
- Height of 78 3/4" (2000mm)
- Interior and exterior double handle in polished stainless-steel
- ZittaClean stain resistant glass treatment
- Fixed panel and door panel 8mm
- Soft rolling guaranteed for life
- Spring ball closing
- Preamsembled doorframe
- Finishing caps on extrusions
- Aluminium threshold with sealing gasket
- Support bar for fixed and return panels
- Anti-jump bearings keep the door on the rail
- Vertical seals
- Safe tempered glass with polished edges
- Adjustment of the pivots level
- Adjustment of door panel level by the rollers
- Adjustment of the fixed panel level by the wall extrusion (1" - 25mm)

